

TENTATIVE DATA SHEET

***DIGITRON - Long Life 10 Digit Side-Viewing
Cold-Cathode Numerical Register Tube**

GR10J

Limit Ratings

Maximum cathode current	4 mA
Minimum voltage necessary to ensure breakdown	150 V

Characteristics

Nominal running voltage	145 V
A cathode left floating will assume some potential between that of the anode and the glowing cathode.	

Recommended Operating Conditions

Under the recommended d.c. operating conditions with the characters switched sequentially every 24 hours, an average life of 10,000 hours can be expected.

D.C. operation

Anode supply voltage $R_a = 33k\Omega$	250 V
--	-------

A.C. operation

(Unsmoothed half-wave rectifier 50 c. p. s. a. c.)

Anode supply voltage - $R_a = 39k\Omega$	200-220V r. m. s.
$R_a = 47k\Omega$	220-250V r. m. s.

Filters

For many applications the use of a light filter may be advantageous. 'Circular polarized' filters (Type HNCP, supplied by Polarizers (U.K.) Ltd., 28, Stamford Street, London, S.E. 1) eliminate reflected light and improve contrast. Coloured filters of glass, Perspex or Gelatine can also be used to advantage, amber or red tinted filters making Long Life Digitrons appear identical with other Digitrons.

*Registered Trade Mark



TENTATIVE DATA SHEET

GR10J

DIGITRON - Long Life 10 Digit Side-Viewing
Cold-Cathode Numerical Register Tube

Mechanical Data

Mounting position

Any

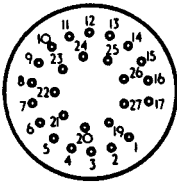
Base

B26A

Socket

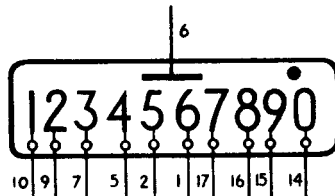
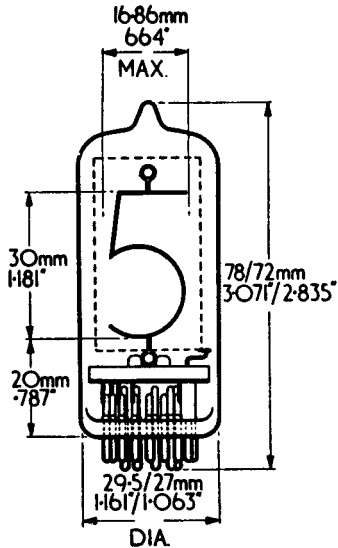
B17A, B26A or B27A

Base Connections
(underside view)



FRONT

- Pin 1 Cathode 6
- 2 Cathode 5
- 5 Cathode 4
- 6 Anode
- 7 Cathode 3
- 9 Cathode 2
- 10 Cathode 1
- 14 Cathode 0
- 15 Cathode 9
- 16 Cathode 8
- 17 Cathode 7



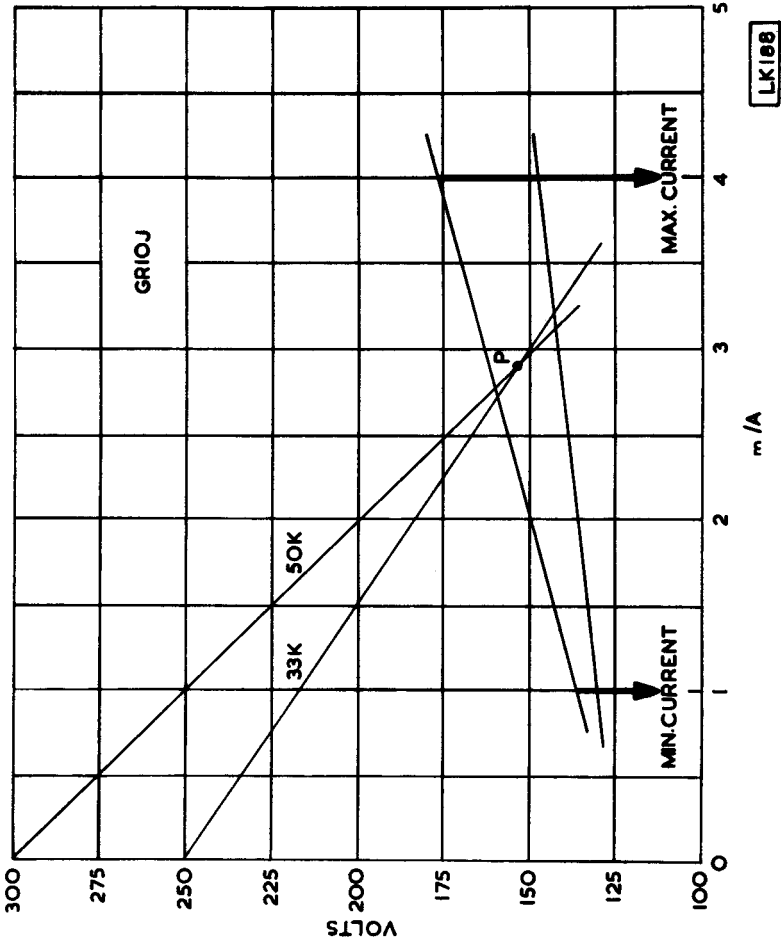
Note: All other pins are to be left unconnected.



TENTATIVE DATA SHEET

*DIGITRON - Long Life 10 Digit Side-Viewing
Cold-Cathode Numerical Register Tube

GR10J



Operating Characteristics

* Registered Trade Mark



