
ESU74
HIGH VACUUM HALF WAVE RECTIFIER**RATING**

Filament Voltage (volts)	V_f	4.0
Filament Current (amps)	I_f	11.5
Maximum Peak Inverse Voltage (volts)	P.I.V. (max)	40,000
Maximum Mean Anode Current (mA)	$I_{a(av)max}$	80
Average Maximum Filament Emission (amps)	I_{em}	1.1
Maximum Anode Dissipation (watts)	P_a	50

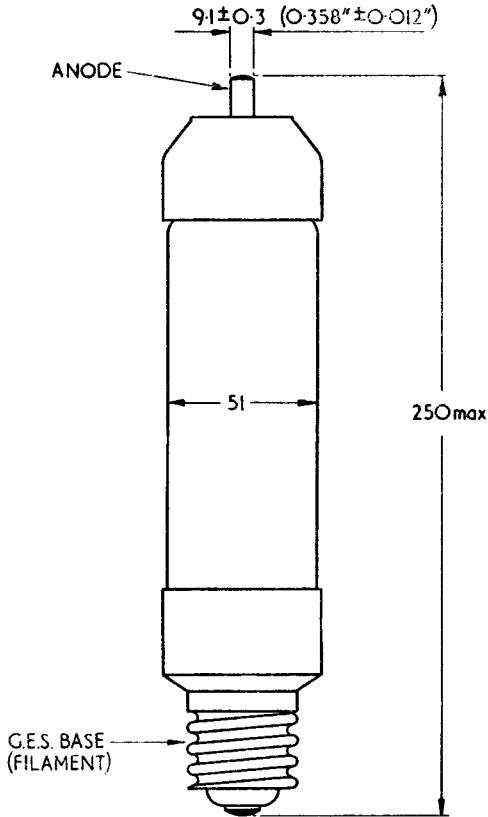
DIMENSIONS

Maximum Overall Length	(mm)	250
Maximum Diameter	(mm)	60
Approximate Nett Weight	(ozs)	7.0
Approximate Packed Weight	(lbs)	2.0
Approximate Packed Export Weight	(lbs)	2.0

MOUNTING POSITION—Vertical.

ESU74

HIGH VACUUM HALF WAVE RECTIFIER



ESU74

HIGH VACUUM HALF WAVE RECTIFIER

TYPICAL CHARACTERISTIC CURVES: I_a/V_a

