

Mullard

GAS TRIODE

EC50

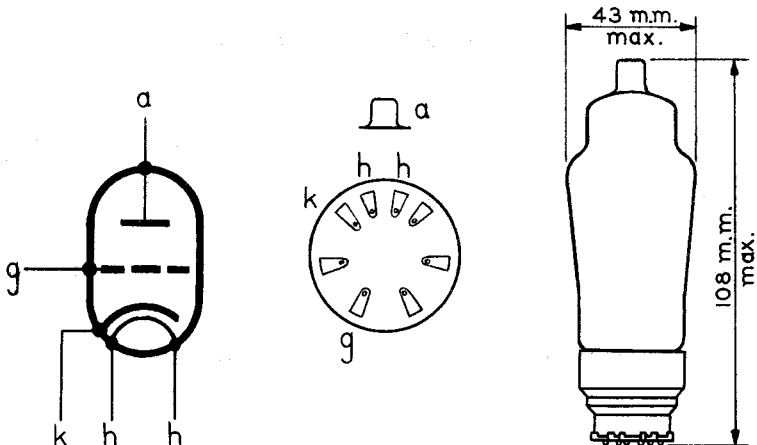
Heater	Vf	=	6.3 V
	If	=	1.3 A

Capacities	Cak	=	3.8 uuF
	Cgk	=	6.1 uuF
	Cag	=	2.7 uuF

Operating Conditions

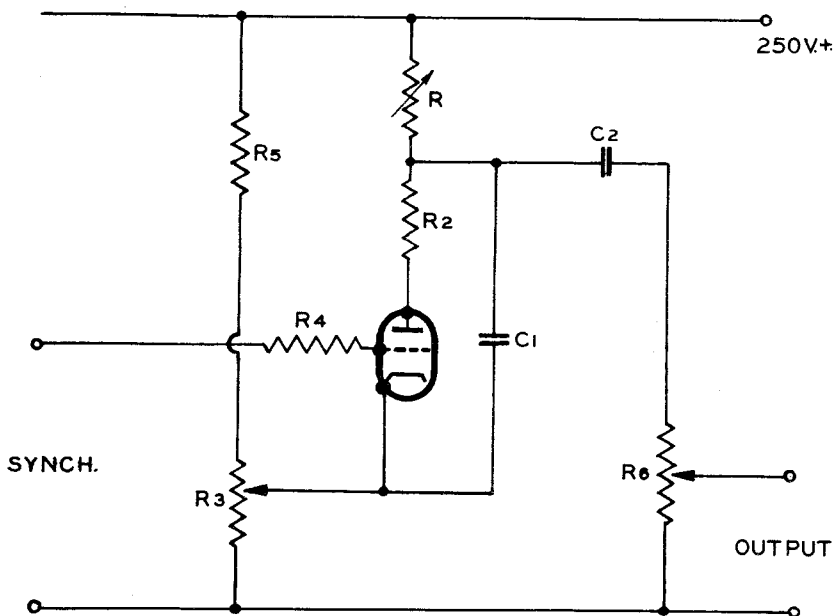
V max (peak) between any two electrodes ..	1,500	V
Va max (peak)	1,000	V
Ia max (average)	10	mA
Ia max (peak)	750	mA
Rg min	1,000	Ω/V
Rg max	0.5	$m\Omega/V$
Gas Voltage Drop	35	V
Control Ratio	35	
Vfk max	100	V

Arrangement of electrodes and base connections.



EC50

CIRCUIT DIAGRAM



CIRCUIT CONSTANTS

Grid resistance R4	=	1,000	ohms/V
Anode resistance R2	=	2	ohms/V
Peak discharge current	=	500	mA
D.C. drain (including R5)	=	4-10	mA
R1	=	0-0.5	megohm
R3	=	0-10,000	ohms
R5	=	0.1	megohm
R6 min.	=	0.5	megohm
C1	=	1,000 uμF to 0.5 uF	
C2	=	0.5	uF
Frequency Range	=	25-25,000	cs.

