

Mullard

PICTURE TUBE

MW18-2

PICTURE TUBE FOR TELEVISION RECEPTION

7 - Inch Screen

Heater	Vf = 2.0 V
	If = 1.2 A
Capacity	Cg approx. = 6.0 uuF
Fluorescent Colour	White
Deflection	Double magnetic

Operating Conditions

Va	4,000 V
Vg	-43 V

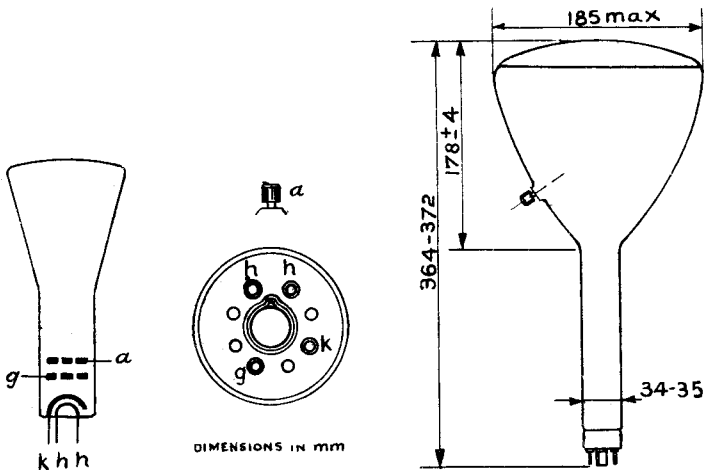
With centre of deflection coils 206 m.m. from the screen, the deflection sensitivity is 0.096 Lmm. per gauss.

L = length of the electron path through the field of the deflection coil (m.m.)

Limiting Values

Va max	5,000 V
Ia max	0.1 mA

Arrangement of electrodes and base connections.



MW 18-2

MW18-2

Mullard PICTURE TUBE

