



CHARACTERISTICS

GENERAL DATA

| | |
|--------------------------------------|---------------------------------|
| Focusing Method | Electrostatic |
| Deflection Method | Magnetic |
| Deflection Angle (Approx.) | 50 Degrees |
| Phosphor* | P4 P11 |
| Fluorescence | White Blue |
| Phosphorescence | White Blue |
| Persistence | .Med. Short Short |

*In addition to the phosphors shown the SC-3122 can be supplied with several other phosphors.

ELECTRICAL DATA

| | |
|--|-------------------|
| Heater Voltage | 6.3 Volts |
| Heater Current | 0.6 ± 10 % Ampere |
| Direct Interelectrode Capacitances (Approx.) | |
| Cathode to All Other Electrodes | 5 pf |
| Grid No. 1 to All Other Electrodes | 6 pf |

MECHANICAL DATA

| | |
|--|-------------|
| Minimum Useful Screen Diameter | 9 Inches |
| Bulb Contact (Recessed Small Cavity Cap) | J1-21 |
| Base (Small Shell Duodecal 6-Pin) | B6-63 |
| Basing | 12M |
| Bulb Contact Aligns with Vacant Pin Position No. 3 | ±10 Degrees |

MAXIMUM RATINGS (Absolute Maximum Values)

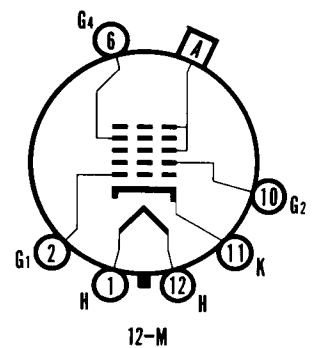
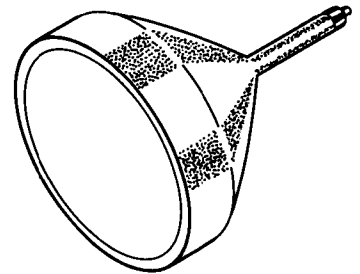
| | | |
|---|--------------------|----|
| Anode Voltage | 22,000 Volts | dc |
| Grid No. 4 Voltage (Focusing Electrode) | -550 to 1100 Volts | dc |
| Grid No. 2 Voltage | 770 Volts | dc |
| Grid No. 1 Voltage | | |
| Negative Bias Value | 200 Volts | dc |
| Positive Bias Value ¹ | 0 Volt | dc |
| Positive Peak Value | 0 Volt | |
| Peak Heater-Cathode Voltage | | |
| Heater Negative with Respect to Cathode | 200 Volts | dc |
| Heater Positive with Respect to Cathode | 200 Volts | dc |

TYPICAL OPERATING CONDITIONS

| | | |
|--|------------------|------|
| Anode Voltage ² | 20,000 Volts | dc |
| Grid No. 4 Voltage for Focus ³ | 0 to 300 Volts | dc |
| Grid No. 2 Voltage | 300 Volts | dc |
| Grid No. 1 Voltage for Cutoff ⁴ | -28 to -72 Volts | dc |
| Resolution at Ib = 50 μa | 700 Lines | Min. |

QUICK REFERENCE DATA

Monitor Tube
Electrostatic Focus
Magnetic-Deflection
10" Diameter
Flat Face



SYLVANIA ELECTRIC PRODUCTS INC.

Electronic Components Group
ELECTRONIC TUBE DIVISION
SENECA FALLS, NEW YORK

A Technical Publication

MAY, 1965

PAGE 1 OF 2

File Under

SPECIAL AND GENERAL
PURPOSE CATHODE RAY TUBES

MAXIMUM CIRCUIT VALUE

Grid No. 1 Circuit Resistance 1.5 Megohms Max.

NOTES:

1. At or near this rating, the effective resistance of the anode supply should be adequate to limit the anode input power to 6 watts. To prevent burning, minimum beam current densities should be employed.
2. Brilliance and definition decrease with decreasing anode voltage. In general, anode voltage should not be less than 7,000 volts.
3. With Eg1 adjusted for $I_b = 50$ microamperes.
4. Visual extinction of focused raster. Extinction of stationary focused spot will require values of about 5 volts more negative.

WARNING:

X-ray radiation shielding may be necessary to protect against possible danger of personal injury from prolonged exposure at close range if this tube is operated at higher than the manufacturer's Maximum Rated Anode Voltage or 16,000 volts, whichever is less.

OUTLINE

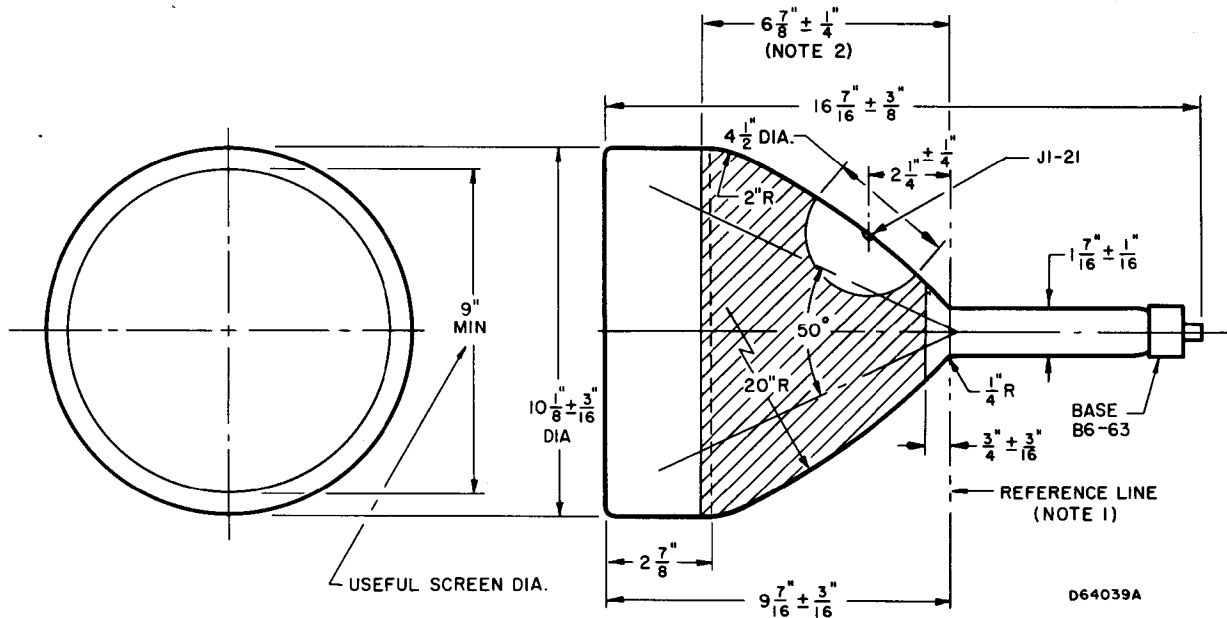


DIAGRAM NOTES:

1. Reference line is the point where a 1.500" +.003" diameter ring gauge 2" long will stop against the bulb.
— .000"
2. With external conductive coating, tube is designated as the SC3122P-A. Capacitance value will be between 500 pf and 2500 pf