

January 26, 1948

SYLVANIA ELECTRIC PRODUCTS INC.

Type 1B54

The Type 1B54 is a broad-band, non-tunable Pre-TR gas switching tube of the integral cavity type for the 3550 Mc region.

Electrical Data - General

Operational Band	3400 to 3700	Mc
Low-Level Input V.S.W.R. (matched load, over operational band)	1.30	max.
Insertion Loss	0.4	db max.

Mechanical Data - General

Dimensions	(See Outline Drawing)	
Mounting Position	Any	
Net Weight (approximate)	1	lb.

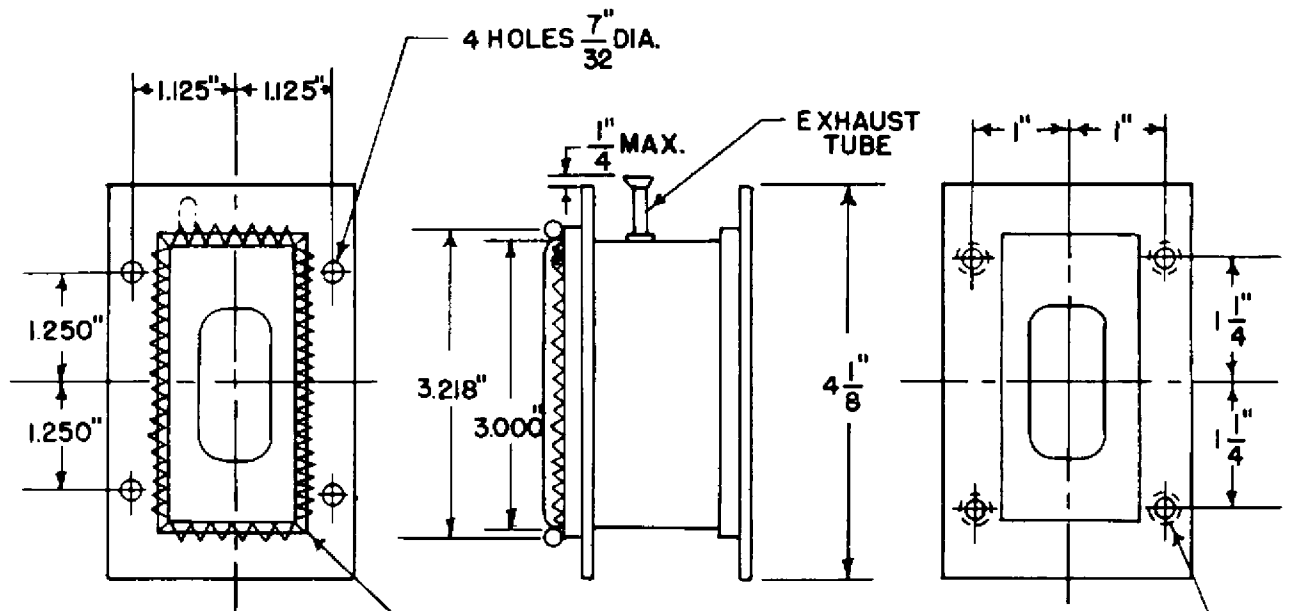
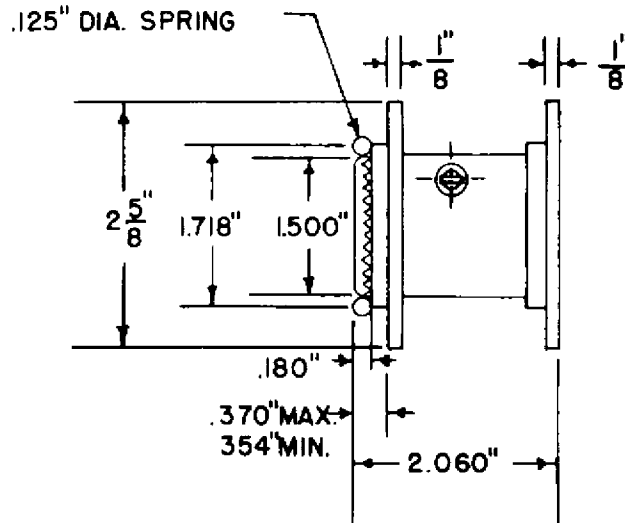
Ratings

Maximum Transmitter Peak Power	1000	Kw
Minimum Transmitter Peak Power	10	Kw
Ambient Temperature Range	-55 to +100	°C

SYLVANIA ELECTRIC PRODUCTS INC.

OUTLINE DRAWING

TYPE IB54



SPRING FASTENED AT CORNERS

4 HOLES WITH 10-32 THD'S